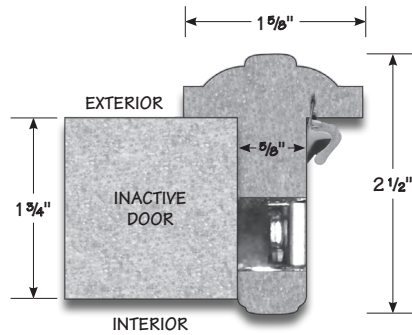
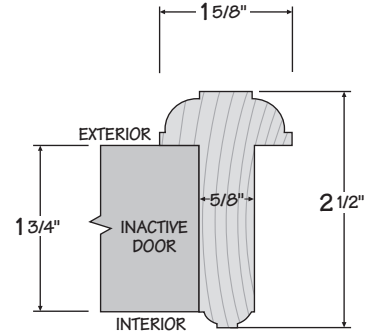


# EXTERIOR FRAME COMPONENTS

## T-ASTRAGALS

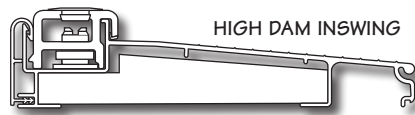


WEATHER STRIPPED WOOD ASTRAGAL:  
MAHOGANY, PINE, FIR 80", 96"



"COLONIAL" WOOD ASTRAGAL:  
POPLAR, MAHOGANY, PINE 96"

THE "Z" SERIES ALUMINUM SILL,  
BRONZE AND ALUMINUM FINISH



HIGH DAM INSWING

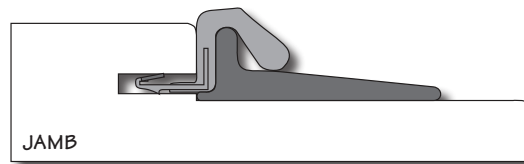


OUTSWING

VINYL CLAD (UV RESISTANT) MOISTURE  
RESISTANCE FOAM COMPRESSION  
WEATHERSTRIPPING.

CORNER PAD SEALS THE DOOR'S  
WEATHERSTRIPPING, PREVENTING  
WATER FROM PERCOLATING UP AND  
OVER THE THRESHOLD.

## WEATHER STRIPPING



JAMB

### FRAME COMPONENTS

AVAILABLE SIZES	6-8 HEIGHT	8-0 HEIGHT	LENGTHS
4 5/8" Kerfed w/ Compression Weather Stripping (True Defense)	✓	✓	
4 5/8" Unkerfed (True Defense)	✓	✓	
6 5/8" Kerfed w/ Compression Weather Stripping (True Defense)	✓	✓	
6 5/8" Unkerfed (True Defense)	✓	✓	
6 5/8" Unkerfed Woodsills (True Defense)		✓	
4 5/8" Unkerfed Frame Stock (14' Lengths)			✓
6 5/8" Unkerfed Frame Stock (14' Lengths)			✓
7" Unkerfed Frame Stock (10' Lengths)			✓
9" Unkerfed Frame Stock (10' Lengths)			✓
7" Treated Sill Stock (14' Lengths)			✓
9" Treated Sill Stock (14' Lengths)			✓
1 x 4 Subcasing – Primed (14' Lengths)			✓
180 Brick Mould – Primed (14' Lengths)			✓
1 x 4 Subcasing – PVC (18' Lengths)			✓
180 Brick Mould – PVC (17' Lengths)			✓