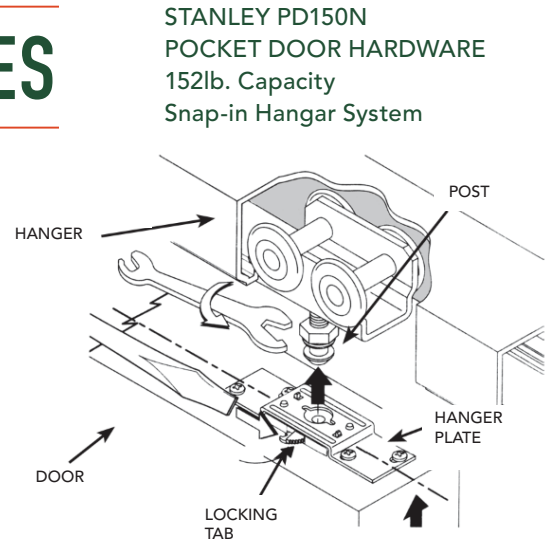
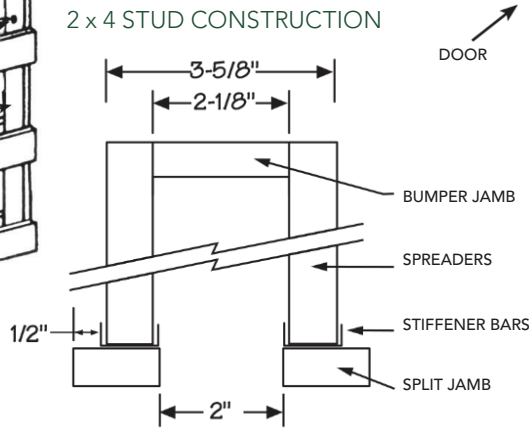
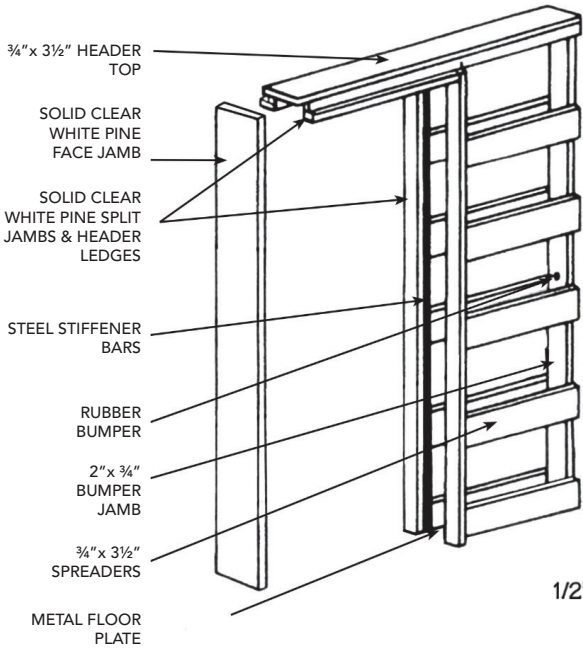


# POCKET FRAMES



## STOCK POCKET DOOR FRAMES AND CONTINUOUS DOUBLE HEADS

WIDTH	SINGLE POCKET FRAMES	
	6' 8" HEIGHT	8' 0" HEIGHT
2' 0"	✓	✓
2' 4"	✓	✓
2' 6"	✓	✓
2' 8"	✓	✓
3' 0"	✓	✓

WIDTH	DOUBLE POCKET FRAMES	
	WIDTH	NEED HEIGHT
Double 2' 0"	(4' 0")	✓
Double 2' 4"	(4' 8")	✓
Double 2' 6"	(5' 0")	✓
Double 2' 8"	(5' 4")	✓
Double 3' 0"	(6' 0")	✓

Stock frames and double heads are for 2x4 stud with 1/2" sheet rock construction. For double pocket doors, use two single frames and one double head.

## POCKET DOOR FRAMES — ROUGH OPENINGS

**Formula for single units:**  
 $2 \times \text{door width} + 2\frac{1}{2}" = \text{rough opening width}$   
 $1 \times \text{door width} + 4\frac{1}{2}" = \text{rough opening width}$

**Formula for double units:**  
 $2 \times \text{door width} + 2\frac{1}{2}" = \text{rough opening width}$   
 $1 \times \text{door width} + 4\frac{1}{2}" = \text{rough opening width}$

# POCKET FRAMES

## I-BEAM TRACK SYSTEMS

TYPE	4 5/8" I-BEAM	6 5/8" I-BEAM	4 5/8" C-TRACK	6 5/8" C-TRACK
2068	✓	✓	✓	✓
2080	✓	✓	✓	✓
2468	✓	✓	✓	✓
2480	✓	✓	✓	✓
2668	✓	✓	✓	✓
2680	✓	✓	✓	✓
2868	✓	✓	✓	✓
2880	✓	✓	✓	✓
3068	✓	✓	✓	✓

### I-BEAM

#### DOUBLE POCKET DOOR HEAD

2-0 Double	4 5/8"	6 5/8"
2-4 Double	4 5/8"	6 5/8"
2-6 Double	4 5/8"	6 5/8"
2-8 Double	4 5/8"	6 5/8"
3-0 Double	4 5/8"	6 5/8"

### C-TRACK

#### DOUBLE POCKET DOOR HEAD

2-0 Double	4 5/8"	6 5/8"
2-4 Double	4 5/8"	6 5/8"
2-6 Double		6 5/8"
2-8 Double	4 5/8"	6 5/8"
3-0 Double		6 5/8"